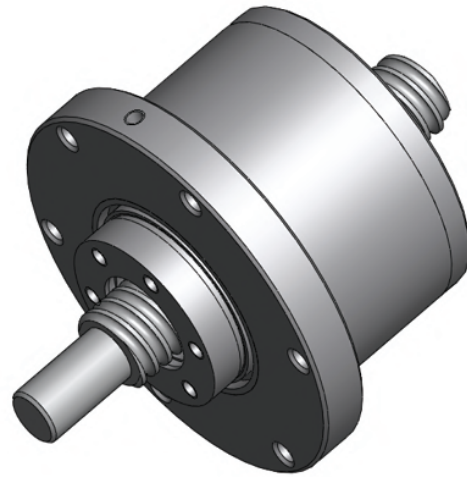


Driven nut

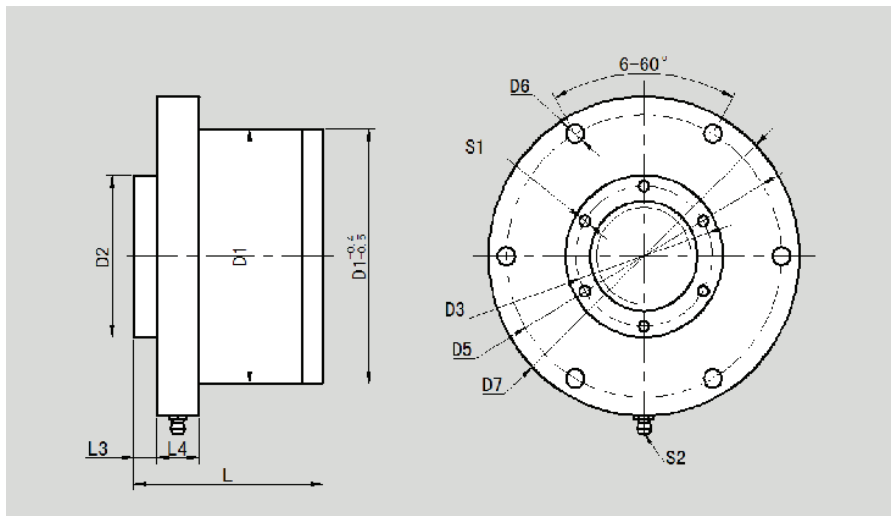


do: Nominal diameter

l: Lead

i: Number of track turns

Size doxl-i	dyn. load Ca(KN)	stat. load Coa(KN)	D1 g6	D2 h7	D3	D5	D6	D7
16X5-3	7.65	13.2	70	38	30	80	6.6	90
16X10-3	9.6	12.3	80	45	34	95	6.6	108
20X5-3	14.3	21.5	80	45	37	95	6.6	108
20X10-3	10.5	17.7	88	45	37	97	6.6	110
20X20-2	9.1	12.1	88	45	37	97	6.6	110
25X5-3	15.9	27.2	93	55	44	105	6.6	120
25X10-3	11.2	24.2	93	55	44	105	6.6	118
32X5-3	21.6	40	106	65	55	121	8.5	140
32X10-3	25.5	46.9	106	65	55	121	8.5	140
32X20-3	13.5	21.8	106	65	55	121	8.5	140
32X32-2	13.4	22	106	65	50	121	8.5	140
40X10-3	33.8	69.3	118	75	65	131	8.5	148
40X40-2	25.5	40.3	118	75	65	131	8.5	148
50X5-4	31.5	80.3	130	80	70	150	11	170
50X10-3	43.4	90.7	135	85	70	150	11	170
50X12-4	53.1	110.9	135	85	70	150	11	170
50X40-2	32.1	55.8	150	95	80	168	11	190
63X10-3	74	178.6	165	110	95	180	11	200
63X20-3	53.2	112.1	172	110	90	190	14	213
80X10-3	84.4	227.1	190	125	110	210	15	242



Unit : mm

Size doxl-i	L	L3	L4	S1	S2	bearing dyn.	bearing stat.
						load	load
						Coa(KN)	Coa(KN)
16X5-3	70	5	13	M5	M6X1	16.4	14.1
16X10-3	68	5	13	M5	M6X1	21.4	19.3
20X5-3	68	5	15	M5	M6X1	21.4	19.3
20X10-3	71	6	14	M5	M6X1	22.0	20.7
20X20-2	71	6	14	M5	M6X1	22.0	20.7
25X5-3	81	12	15	M6	M6X1	29.9	27.9
25X10-3	81	12	15	M6	M6X1	29.9	27.9
32X5-3	85	10	20	M6	M6X1	40.7	41.8
32X10-3	85	10	20	M6	M6X1	40.7	41.8
32X20-3	90	15	20	M6	M6X1	40.7	41.8
32X32-2	85	10	20	M6	M6X1	40.7	41.8
40X10-3	90	11	20	M6	M8X1	43.9	48.2
40X40-2	90	11	20	M6	M8X1	43.9	48.2
50X5-4	101	15	20	M8	M8X1	53.0	59.3
50X10-3	101	15	20	M8	M8X1	54.1	63.2
50X12-4	101	15	20	M8	M8X1	54.1	63.2
50X40-2	109	15	20	M8	M8X1	64.3	75.0
63X10-3	116	14.5	25	M10	M8X1	78.6	94.3
63X20-3	116	14.5	20	M10	M8X1	80.0	98.6
80X10-3	140	15	25	M10	M8X1	96.4	120.0