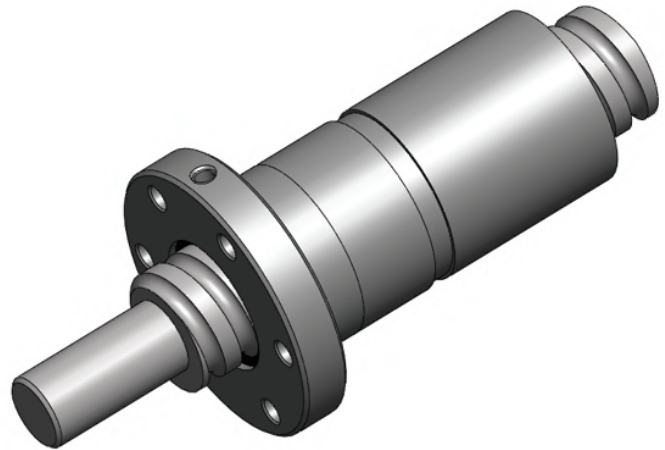


## Double nut with flange type N

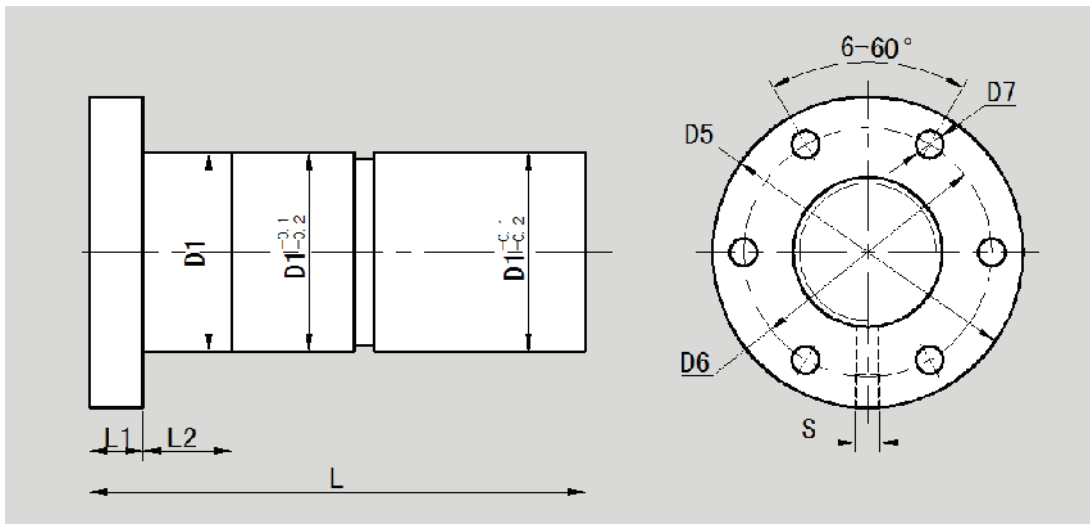


do: Nominal diameter

l : Lead

i : Number of track turns

Size doxl-i	dyn. load Ca (KN)	stat. load Coa (KN)	D1 g6	D5	D6	D7
16X5-3	7.65	13.2	28	52	38	5.5
20X4-3	6	10.1	33	58	46	5.5
20X5-3	14.3	21.5	36	58	46	5.5
20X10-3	10.5	17.7	36	58	46	5.5
25X4-3	6.1	10.4	38	64	51	6.5
25X5-3	15.9	27.2	40	64	51	6.5
25X10-4	11.2	24.2	42	64	51	6.5
32X5-4	21.6	40	48	80	65	6.5
32X10-3	25.5	46.9	50	82	65	9
40X5-5	29.1	64.1	56	90	70	9
40X10-3	33.8	69.3	63	98	78	9
50X5-5	31.5	80.3	68	110	86	9
50X10-4	43.4	90.7	75	118	95	11
50X12-5	53.1	110.9	75	118	95	11
50X20-3	47.8	87.5	78	128	105	11
50X40-2	32.1	55.8	75	128	105	11
63X10-4	74	178.6	90	138	112	14
63X20-3	53.2	112.1	93	138	112	14
80X10-6	84.4	227.1	105	150	125	14
80X20-4	131.4	267.1	125	165	145	14



Unit : mm

Size doxI-i	L	L1	L2	S	Part number
16X5-3	88	10	13	M6X1	LLD1605N-0
20X4-3	78	10	13	M6X1	LLD2004N-0
20X5-3	96	10	13	M6X1	LLD2005N-0
20X10-3	98	10	13	M6X1	LLD2010N-0
25X4-3	78	12	15	M6X1	LLD2504N-0
25X5-3	115	12	15	M6X1	LLD2505N-0
25X10-4	135	12	15	M6X1	LLD2510N-0
32X5-4	115	12	15	M6X1	LLD3205N-0
32X10-3	152	14	17	M6X1	LLD3210N-0
40X5-5	120	14	17	M8X1	LLD4005N-0
40X10-3	146	14	17	M8X1	LLD4010N-0
50X5-5	120	18	21	M8X1	LLD5005N-0
50X10-4	178	18	21	M8X1	LLD5010N-0
50X12-5	194	18	21	M8X1	LLD5012N-0
50X20-3	196	22	25	M8X1	LLD5020N-0
50X40-2	156	22	25	M8X1	LLD5040N-0
63X10-4	205	22	25	M8X1	LLD6310N-0
63X20-3	208	22	25	M8X1	LLD6320N-0
80X10-6	232	22	25	M8X1	LLD8010N-0
80X20-4	315	22	25	M8X1	LLD8020N-0